

**TAPWARE & ACCESSORIES**

**TEST CAP - MONO, "ONESIE"**

- Mono cap for testing hot and cold water installations.
- Cost effective, entry level.
- Finish colour: Blue.

**TEST PLUG - DUO**  
PRODUCT ID: 13140

- Duo plug and cap combination for testing hot and cold water installations.
- This one product does both plug and cap test.
- Finish colour: Grey

**TEST CAP - NO MESS**  
PRODUCT ID: 16416

- Fitted with reverse thread so top plug can be removed to allow draining of pressurised water line.
- Once water has drained, the larger section of the cap can be removed entirely, ready for the installation of tapware.
- No more spilling water into the wall cavity and damaging plaster board.
- Finish colour: Mustard.

TEST PLUG DUO  
ID: 13140



TEST CAP MONO  
ID: 19667



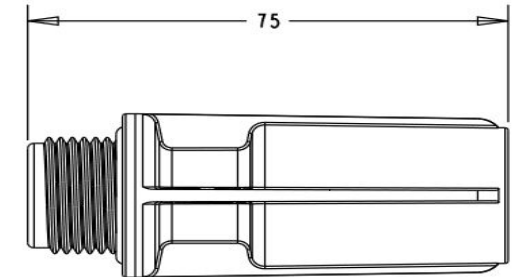
TEST CAP  
ID: 16416

NOTE: IMAGE FOR ILLUSTRATION PURPOSES ONLY - ACTUAL PRODUCT FINISH COLOUR IS MUSTARD.

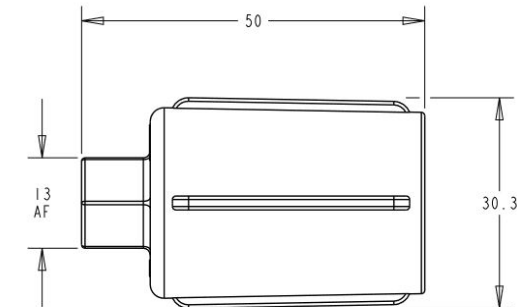


ID	MALE	FEMALE	BAG QUANTITY	BOX QUANTITY
13140	5/8" BSP	1/2" BSP	50	600
19667	N/A	1/2" BSP	50	700
16416		1/2" BSP	20	200

TEST PLUG DUO  
ID: 13140



TEST CAP MONO  
ID: 19667



TEST CAP NO MESS  
ID: 16416

