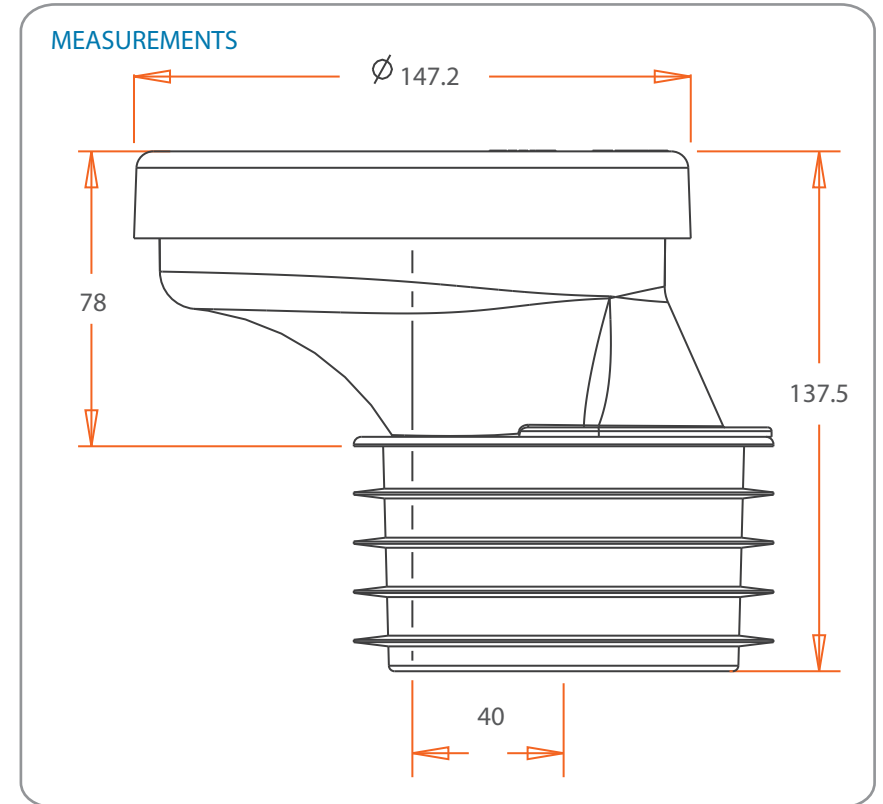



PAN CONNECTORS MEDIUM RISE - FLEXI FIN 40MM OFFSET

PRODUCT ID: 15641 & 15644

- Medium rise reduces the risk of siphonage and may need to be recessed into the floor.
- No need to solvent weld, push into pipe.



ID	 INLET DIA	CARTON QTY
15641	100 DWV	27
15644	100 HDPE/CU	27

NOTES:

- ENSURE THAT THE OUTLET OF THE WC DOES NOT COME INTO CONTACT WITH THE BASE OF THE PAN CONNECTOR BODY.
- PLASTEC DOES NOT RECOMMEND THE INSTALLATION OF OFFSET PAN CONNECTORS TO P TRAP INSTALLATIONS AND SUCH USE WILL VOID WARRANTY.