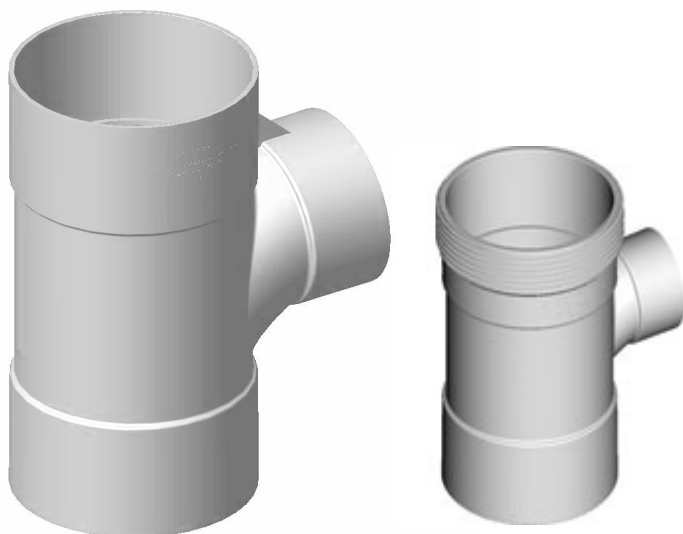



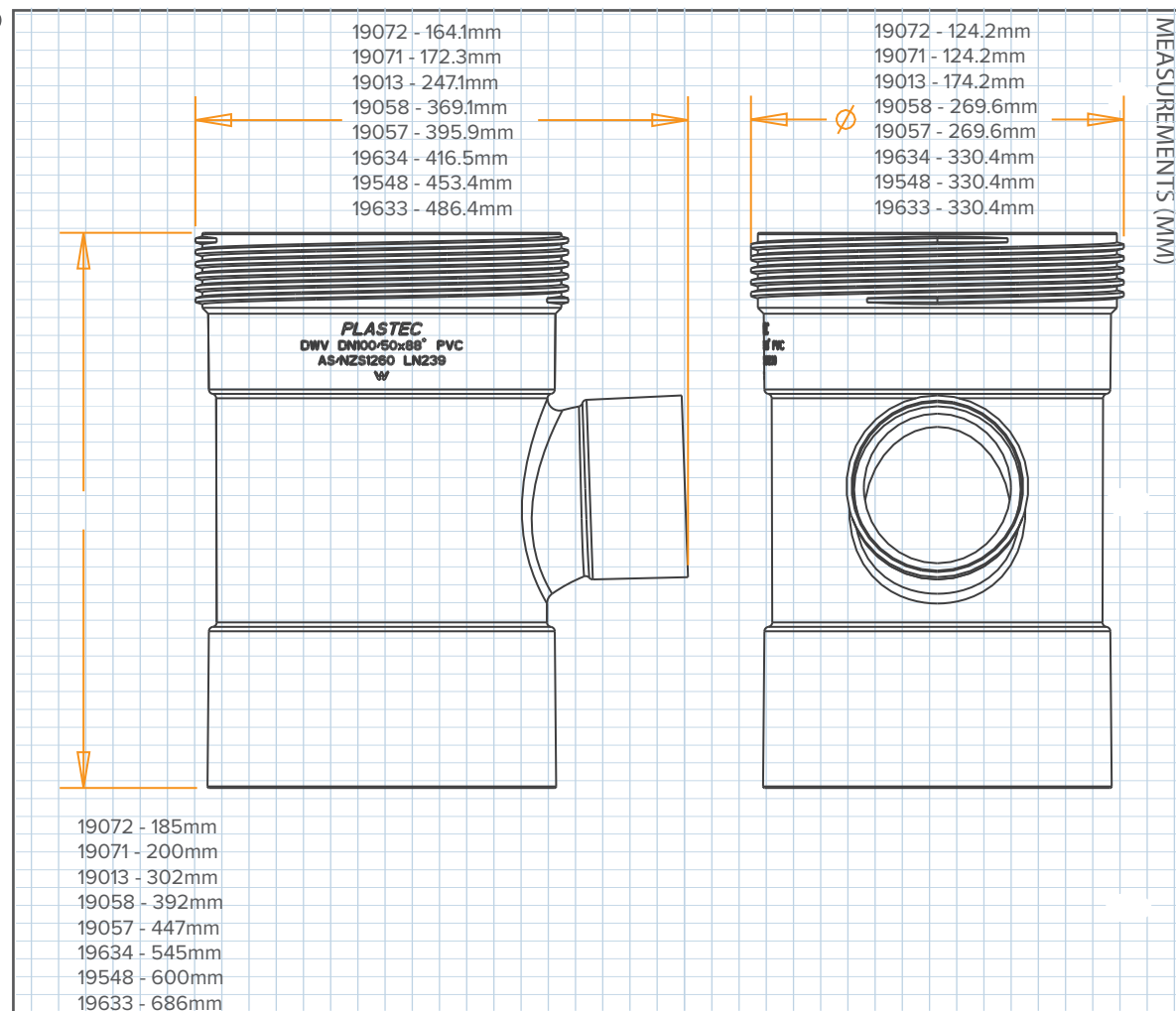
DWV FITTINGS

PRODUCT SPECIFICATIONS

JUNCTIONS (Reducing) - FF - 88 DEGREES



ID	DIA	OUTLET	
19072	100 Socket	50 Socket	22
19071	100 Socket	65 Socket	18
19013	150 Socket	100 Socket	8
19058	225 Socket	100 Socket	2
19057	225 Socket	150 Socket	2
19634	300 Socket	100 Socket	1
19548	300 Socket	150 Socket	1
19633	300 Socket	225 Socket	1



 DIAMETER  FASTENING  BAG QTY  CARTON QTY  FINISH/COLOUR  MEASUREMENT (MM)

Details are correct as at 15/06/2020, but are subject to change without notice

07 5413 4444 - WWW.PLASTEC.COM.AU