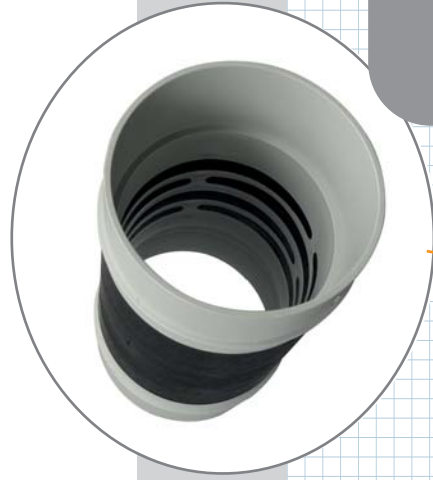


Tank Installations

Using Flexible Joints as per AS3500



Ensure all your tank installations fully meet the upcoming Australian Standards requirements, by using Plastec's ultimate flexible joint - Flexitec.



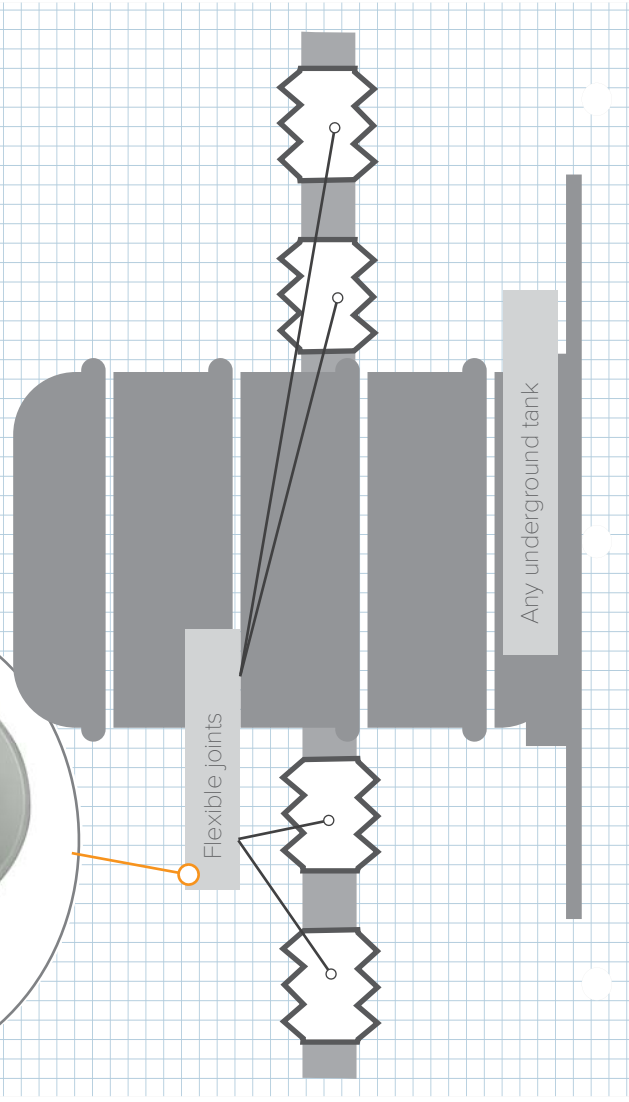
Flexitec is the ideal flexible joint for all types of tank installations, regardless of soil classification.

- The most flexible joint in the market.
- Superior resistance to aging and general weathering.
- The ability to use in temperatures ranging from -50°C to 120°C.
- Excellent resistance to acids, chemical detergents and cleaners.
- The ability to return back to shape after a wide range of movement.

The following is an upcoming, proposed change to the Australian Standards in regards to tank installations in all soil classifications:

"4.8.4 Differential settlement - Where differential settlement may occur and a drain passes through the wall of an inspection chamber over 1 m deep, two flexible joints shall be provided on the drain adjacent to the wall. The length of drain between the two flexible joints shall not exceed 600mm"

It is recommended as best practice that flexible joints are also used on septic tanks, pre-treatment devices, wet wells or similar structures in all soil classifications.



Below ground rainwater tanks.



Septic tanks.



Underground manhole chambers.



Commercial grade grease traps.