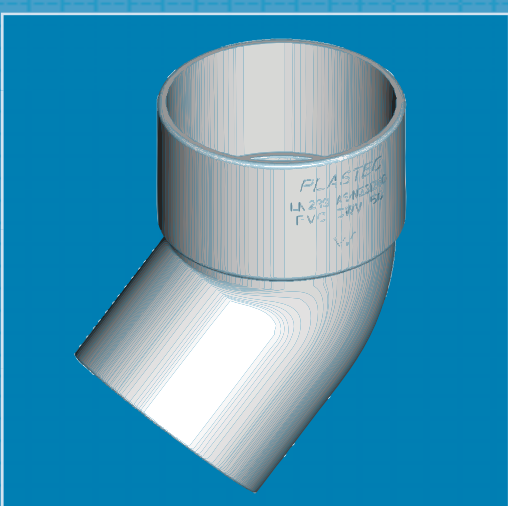
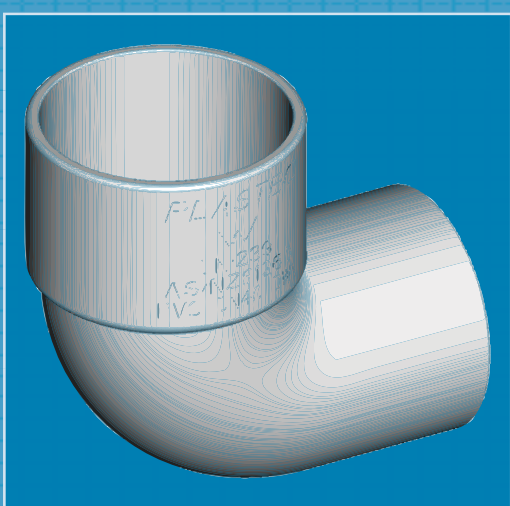
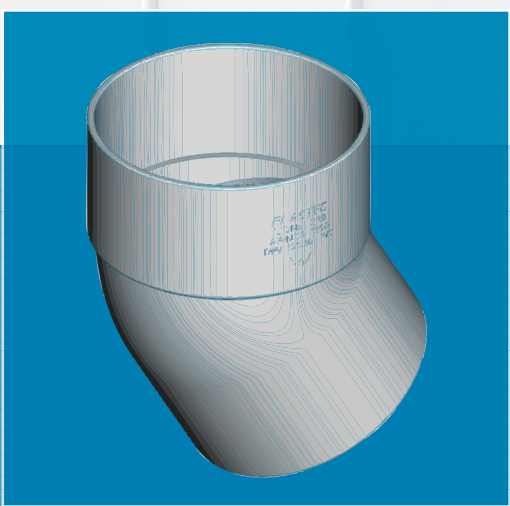
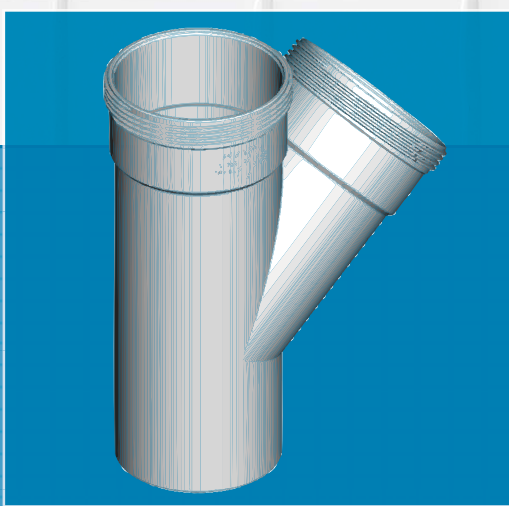
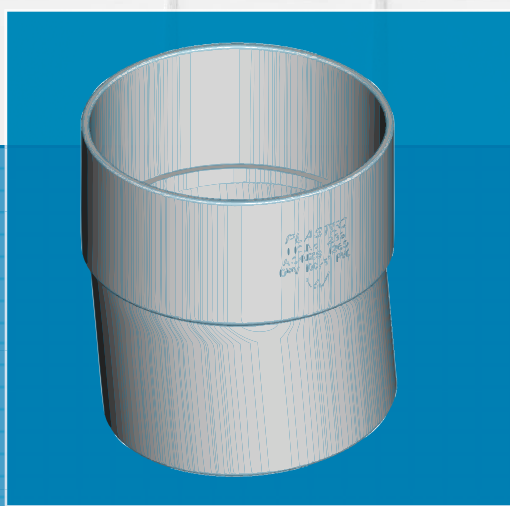


**NOW  
AVAILABLE**



# M&F DWV RANGE

Plastec offers an extensive range of M&F DWV products



[WWW.PLASTEC.COM.AU](http://WWW.PLASTEC.COM.AU)

LIKE US ON FACEBOOK 

# EXTENSIVE RANGE M&F DWV PRODUCTS

## BENDS - MALE / FEMALE

### 5 DEGREES



ID	INLET	OUTLET	DEGREE	
18017	100 Socket	100 Pipe Size	5	36

NOTES:

- Outlet of elbow glues into socket fitting

### 15 DEGREES

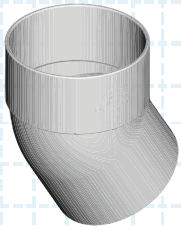


ID	INLET	OUTLET	DEGREE	
18018	100 Socket	100 Pipe Size	15	36

NOTES:

- Outlet of elbow glues into socket fitting

### 30 DEGREES

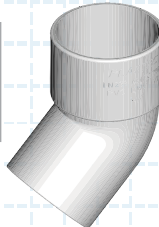


ID	INLET	OUTLET	DEGREE	
18019	100 Socket	100 Pipe Size	30	36

NOTES:

- Outlet of elbow glues into socket fitting

### 45 DEGREES

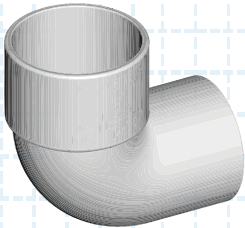


ID	INLET	OUTLET	DEGREE		
16377	40 Socket	40 Pipe Size	45	15	150
16378	50 Socket	50 Pipe Size	45	15	165
17898	65 Socket	65 Pipe Size	45		48
18215	100 Socket	100 Pipe Size	45		28

NOTES:

- Outlet of elbow glues into socket fitting

### 88 DEGREES



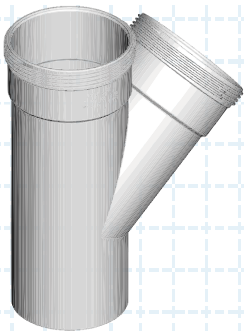
ID	INLET	OUTLET	DEGREE		
12960	40 Socket	40 Pipe Size	88	20	140
12961	50 Socket	50 Pipe Size	88	10	70
15628	65 Socket	65 Pipe Size	88		80
18020	100 Socket	100 Pipe Size	88		18

NOTES:

- Outlet of elbow glues into socket fitting

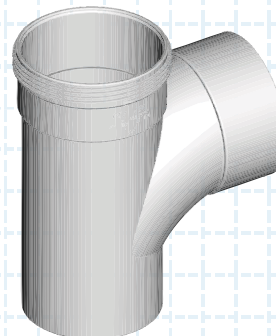
## JUNCTIONS - MALE / FEMALE

### 45 DEGREES



ID		OUTLET	
18022	100	Socket	10

### 88 DEGREES



ID		DEGREE	
18023	100	Socket	13

NOTE: PLASTEC MANUFACTURES A RANGE OF DWV FITTINGS IN ADDITION TO THIS M&F RANGE.  
FOR MORE INFORMATION PLEASE CONTACT PLASTEC AUSTRALIA PTY LTD